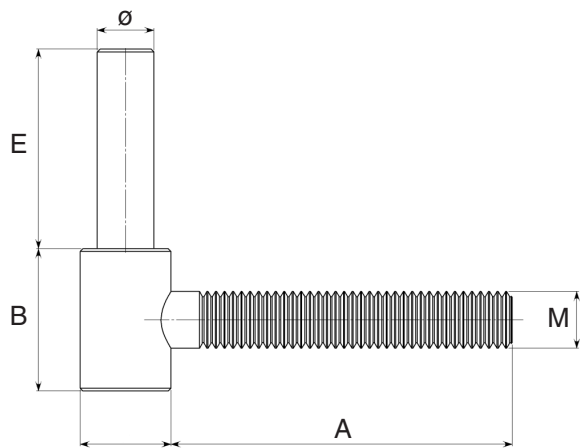


esempio sx

CA 336 Cardine spina a levare con grano

| Articolo | A | B | C | E | M | ø | Grano | AZVN | | |
|------------|----|----|----|----|----|----|-------|------|--|--|
| CA 336 123 | 90 | 30 | 20 | 38 | 12 | 12 | DX | | | |
| CA 336 200 | 90 | 30 | 20 | 38 | 12 | 12 | SX | | | |
| CA 336 230 | 90 | 30 | 20 | 35 | 12 | 12 | DX | | | |
| CA 336 250 | 90 | 30 | 20 | 35 | 12 | 12 | SX | | | |



CA 340 Cardine anuba a spina fissa

| Articolo | A | B | C | E | M | ø | AZVN | | | |
|------------|----|----|----|----|----|----|------|--|--|--|
| CA 340 103 | 60 | 25 | 16 | 35 | 10 | 10 | | | | |
| CA 340 123 | 60 | 30 | 20 | 35 | 10 | 12 | | | | |
| CA 340 124 | 60 | 30 | 20 | 40 | 10 | 12 | | | | |